

SANDBLASTER® ULTRA-LOW NOX COMMERCIAL GAS WATER HEATERS



Image shows model
SBL100 76NE



FEATURES

The SBL100 is an Ultra-Low NOx atmospheric vent commercial gas water heater which meets the thermal efficiency and standby loss requirements of the U. S. Department of Energy and Current Edition ASHRAE/IESNA 90.1.

Fully Automatic Controls with Safety Shutoff

- Accurate, dependable control system requires no electric connections
- Fixed automatic gas shutoff device for added safety
- Not recommended for 180°F sanitizing

Heavy Gauge Steel Jacket

- Finished with baked enamel over bonderized undercoat

Glasslined Tank

- Maximizes tank life

Foam Insulation

- Saves fuel, helps reduce standby heat loss

Ultra-Low NOx Emissions

- Complies with SCAQMD Rule 1146.2 and other Air Quality Management Districts with similar requirements of 14 ng/j or 20 ppm

Easy to Install

- Completely factory-assembled
- Only gas, water and vent connections need to be made
- All connections are located in front and top of heaters for ease-of-installation and service

Draft Diverter

- Low profile diverter furnished as standard equipment

Maximum Working Pressure

- 150 psi

Maximum Gas Inlet Pressure

- 14" W.C.

Handhole Cleanout

- Allows easy tank cleaning

OTHER FEATURES

- Anodic protection
- Equipped with gas pressure regulator
- Integral automatic gas shutoff system prevents excessive water temperature
- CSA Certified and ASME Rated T&P Relief Valve

Three Year Limited Tank Warranty / One Year Limited Parts Warranty

- For complete warranty information, consult written warranty

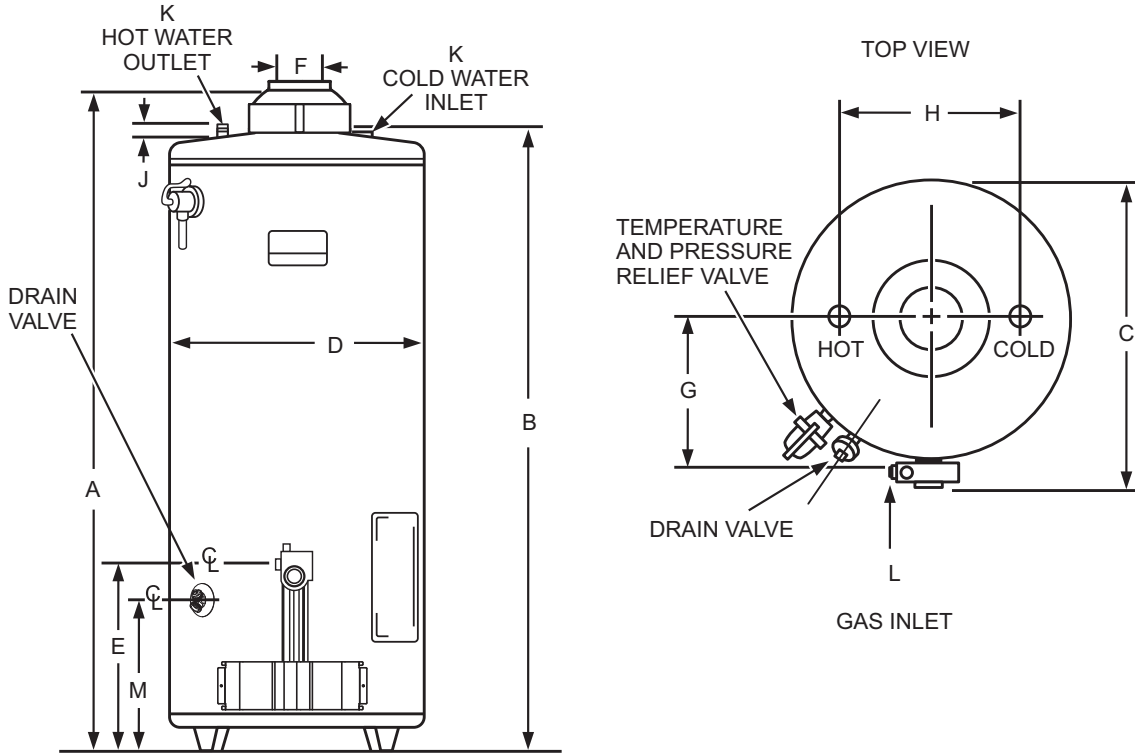
Model	Approximate Capacity		Input Rating		Type of Gas	Temperature Rise											
	Gallons	Litres	Btu/Hr.	kW/Hr.		30°F 17°C	40°F 22°C	50°F 28°C	60°F 33°C	70°F 39°C	80°F 45°C	90°F 50°C	100°F 56°C	110°F 61°C	120°F 67°C	130°F 72°C	140°F 78°C
SBL100 76NE	98	371	75,100	22	GPH LPH	246 927	184 695	148 557	123 462	105 397	92 347	82 309	74 278	67 252	62 233	57 214	53 198

For more information on Ultra-Low NOx, contact:

State Water Heaters
500 Tennessee Waltz Parkway
Ashland City, TN 37015
800-365-0024 Toll-free USA
www.statewaterheaters.com

SOLID.STATE.





Dimensions in Inches/Centimeters

Model	Units	A	B	C	D	E	F	G	H	J	K	L	M	Approximate Shipping Weight Lbs/kg
SBL100 76NE	Inches	70-1/2	66-1/2	30-15/16	27-3/4	15-3/16	4	15-3/4	16	1-1/4	1-1/4	1/2	11-15/16	350 / 158.8
	CM	179.07	168.9	78.59	70.5	38.6	10.2	40.0	40.6	3.2	NPT	NPT	30.3	

SAMPLE SPECIFICATION

Water heater(s) shall be Model _____ as manufactured by State or an approved equal. Water heater(s) shall be of glasslined design, equipped to burn _____ gas and design certified by UL and shall be approved by the National Sanitation Foundation (with optional leg kit). Heaters must meet all applicable energy codes and comply with ultra-low NOx emissions of 14 ng/j or 20 ppm. Heaters shall have an input rating of _____ BTU/H and a recovery capacity of _____ GPH at a temperature rise of 100°F with a storage capacity of _____ gallons. Heater shall be equipped with a 2-3/4" x 3-3/4" boiler-type handhole cleanout and shall have a working pressure of 150 psi. Heater(s) shall be provided with an automatic gas shutoff device and safety shutoff in event pilot flame is extinguished; a gas pressure regulator set for the type of gas supplied; an approved draft diverter, and extruded anode rod rigidly supported for cathodic protection. A CSA Certified and ASME Rated T&P Relief Valve shall be furnished and installed by the manufacturer. The tank shall be foam insulated. The outer jacket shall have a baked enamel finish over a bonderized undercoating. Fully illustrated instruction manual and parts list to be included. All internal surfaces of the heater(s) exposed to water shall be glasslined with an alkaline borosilicate composition that has been fused-to-steel by firing at a temperature range of 1400° to 1600°F. Heater shall have a three year limited tank and one year limited parts warranty against corrosion and tank failure due to sediment build-up as outlined in the written warranty. Heater(s) shall be design certified by UL for operation of the heater in a closed system where thermal expansion has not been compensated for with a properly sized expansion tank will void the warranty.

For complete information on limited warranties, consult written warranty or contact the State Customer Care Center at 1-800-365-0024.

State Industries, Inc., reserves the right to make product changes or improvements without prior notice.

For more information on Ultra-Low NOx, contact:

State Water Heaters
 500 Tennessee Waltz Parkway
 Ashland City, TN 37015
800-365-0024 Toll-free USA
www.statewaterheaters.com

SOLID.STATE.

